

TQ4-29 2 mm

H 3 mm

T 4 mm

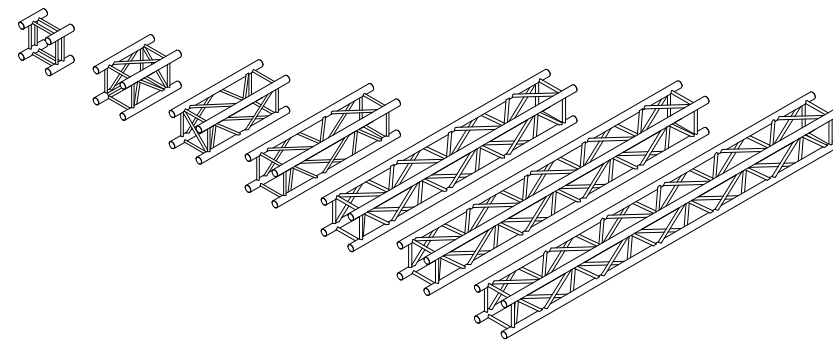
TQ4-29-0210 		
TQ4-29-0290 	TQ4-29H-0290 	
TQ4-29-0420 		
TQ4-29-0500 	TQ4-29H-0500 	TQ4T-29-0500 
TQ4-29-0580 		
TQ4-29-0710 	TQ4-29H-0710 	
TQ4-29-0760 		
TQ4-29-0790 	TQ4-29H-0790 	
TQ4-29-0900 		
TQ4-29-1000 	TQ4-29H-1000 	TQ4T-29-1000 
TQ4-29-1100 	TQ4-29H-1100 	
TQ4-29-1250 	TQ4-29H-1250 	

TQ4-29 2 mm

H 3 mm

T 4 mm

TQ4-29-1500 	TQ4-29H-1500 	TQ4T-29-1500 
	TQ4-29H-1750 	
TQ4-29-2000 	TQ4-29H-2000 	TQ4T-29-2000 
TQ4-29-2440 		
TQ4-29-2500 		TQ4T-29-2500 
TQ4-29-3000 		TQ4T-29-3000 
TQ4-29-3500 		



## TAF TRUSS

TQ4-29 - 1000

T - this letter indicates products TAF

Q - second letter determines kind of connection (Quick)

4 - figure after letters determines how many tubes has the construction

29 - figures after dash specify maximum of outside measure of tubes in cm length

1000 - last figure specifies individual items of system, Double figure means corner item of system. Higher figure means straight pieces, where value of number means their length in mm.

# TQ4-29 Corners

<p>TQ4-29-19 45°</p>	<p>TQ4-29-22 3way 120°</p>	<p>TQ4-29-30 C</p>	
<p>TQ4-29-20 60°</p>	<p>TQ4-29-23 135°</p>	<p>TQ4-29-35 T</p>	<p>TQ4-29-35 short T</p>
<p>TQ4-29-20 75°</p>	<p>TQ4-29-23 (135°) Y</p>	<p>TQ4-29-35-special T -TQ3</p>	<p>TQ4-29-50 5way T</p>
<p>TQ4-29-21 L</p>	<p>TQ4-29-BP</p>	<p>TQ4-29-42 K</p>	<p>TQ4-29-42 short K</p>
<p>TQ4-29-21-Round L</p>	<p>TQ4-29-BP-Ring 1m</p>	<p>TQ4-29-41 X</p>	<p>TQ4-29-41 short X</p>
<p>TQ4-29-22 105°</p>	<p>TQ4-39-29-reduction</p>	<p>TQ4-29-80 8way X-pahulja</p>	
<p>TQ4-29-22 120°</p>		<p>TQ4-29-51 XK</p>	<p>TQ4-29-61 XX</p>